

MSC-512S4, MSC-524S4, MSC-523S4

600TV LINES HIGH RESOLUTION CCTV CAMERA

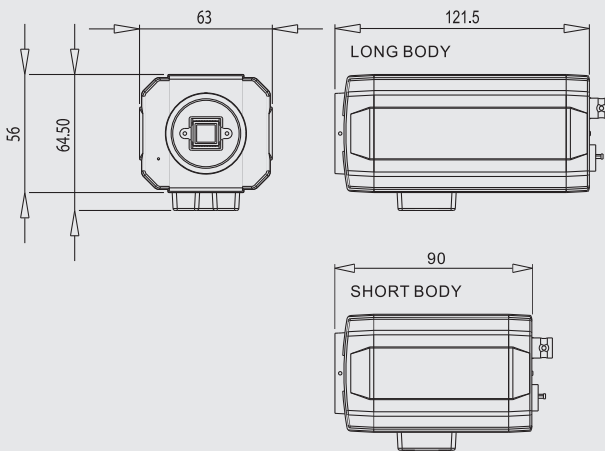


- FEATURES -

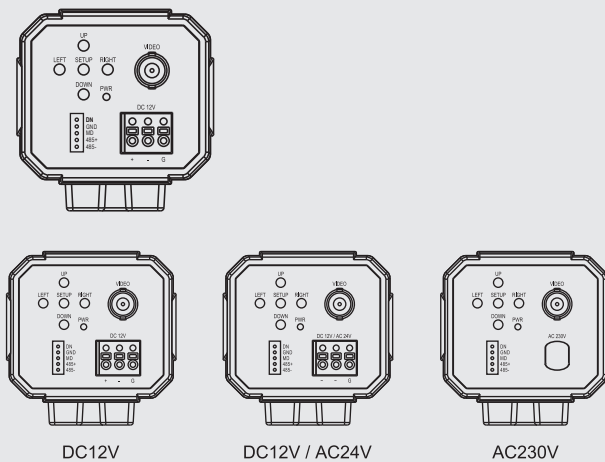
- 1/3" SONY High-Resolution Super HAD CCD
- 600TV Lines Horizontal resolution
- Excellent low light sensitivity of 0.12Lux/F1.2
- Sens-up x256 : 0.0004Lux
- DNR : Digital Noise Reduction
- DIS : Digital Image Stabilizer
- Motion detection 4 Zone
- Privacy 8 zone / Alarm Output
- X10 Digital Zoom Functions
- Camera ID 54ea / 2Line
- OSD menu control by push button
- Strong compatibility with various lens type
- * **MSC-524S4** : DC 12V / AC24V
- * **MSC-523S4** : AC 230V



- DIMENSION -



- BACK VIEW -



- SPECIFICATIONS -

MSC-512S4 / MSC-524S4 / MSC-523S4		
Signal Format	NTSC	PAL
Horizontal Resolution	600TV Lines	
Image Sensor	1/3" SONY High-Resolution Super HAD CCD	
Effective Pixels	768(H) x 494(V)	752(H) x 582(V)
Scanning System	2:1 Interlace	
Synchronization	Internal	
Scanning Frequency	15.750 KHz(H), 60Hz(V)	15.625 KHz(H), 50.00 Hz(V)
Video Output	CVBS : 1.0Vp-p/75Ω	
Min. Illumination (F1.2)	0.12Lux (Sens-up 0.0004Lux)	
Electronic Shutter	AUTO (1/60 ~ 1/100,000 sec)	AUTO (1/50 ~ 1/100,000 sec)
IRIS Control	DC / VIDEO	
Signal to Noise Ratio	52dB (AGC Off)	
Backlight Compensation	Off / On (Area Setting)	
White Balance	ATW1(2500~9500°K) / ATW2(1800~10500°K) / AWC / MANUAL	
Gain control	Off / On (Max. Level Setting)	
DNR	Off / On (Adaptive 3D+2D)	
Day & Night	COLOR / BW / AUTO / EXT	
Sens Up	x2 ~ x256	
DIS	Off / On	
Digital Zoom	x1 ~ x10 (x0.1 STEP)	
Flickerless	Off / ON	
Motion Detection	Off / On (4 Zone, 1 Alarm out)	
Privacy	Off / On (8 Zone)	
Alarm Output	1ea	
OSD	Built-in (Chi, Eng, Jap, Kor, Fre, Ger, Spa)	
Etc. Function	Detail, Reverses(H/V), Posi/Nega, PIP	
Input Voltage	DC 12V (±10%)	
Power Consumption	Max. 2.3W	
Operating Temp/Hum	Temperature : -10°C to +50°C / Humidity : 20% to 80% RH	
Dimension	63.0(W) x 64.5(H) x 121.5(D) mm	
Weight	Approx. 400g	