

Shelly PRO 4PM

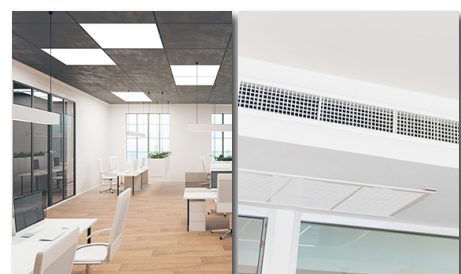


SUPREME HOME AND FACILITY AUTOMATION STRAIGHT FROM THE BREAKER BOX

4-channel DIN-mountable smart relay with Wi-Fi, Bluetooth and LAN connectivity. **Shelly Pro 4PM** is enhanced with temperature, overpower, and overvoltage load protection. It allows full automation for residential, commercial, and other applications.

USE SHELLY PRO 4PM FOR

With the power to control and power measure a variety of appliances, Shelly Pro 4PM can work standalone or be complementary to any existing automation project in your home or office.



Office lights Ventilation control



Office outlets Heating system



AC motor pumps control Load shedding control



LAN connection

Enhanced with LAN connection for even more stable connection.



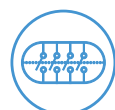
Wi-Fi operated

Connect Shelly Pro 4PM to your Wi-Fi network.



Bluetooth connectivity

Add devices quickly and easily via Bluetooth connection, using Shelly Cloud App.



4 channels

4 outputs, 16A each, total device maximum of 40 A.



Screen with navigation keys

1.8-inch color screen for quick relay control and settings update.



Power metering with data storage

Four integrated precise power meters that allow you to measure the consumption for each channel separately.



Wide variety of appliances control

Suitable for controlling and measuring the consumption of lights, appliances, pool system, heaters, and many more.



Enhanced safety

Flame retardant shell (V-0) with internal overtemperature, over-power and overvoltage protection.



Enhanced security

MQTT and WSS support, TLS certificate support and management for a broad range of use cases.



No hub required

Control directly without a hub through your smartphone with Shelly Cloud App.

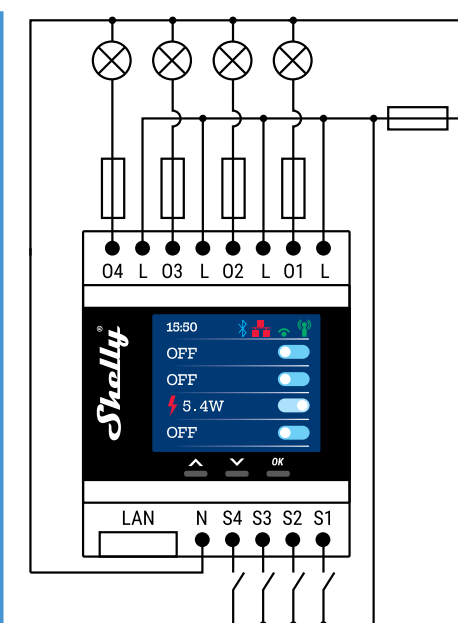


Highly compatible

Use with your preferred home automation platforms and voice assistants.

TECHNICAL SPECIFICATIONS

Power supply	• 110-240 VAC, 50/60 Hz
Max load per channel	16 A
Total max. current of all outputs	40 A
Complies with EU standards:	<ul style="list-style-type: none"> • RE Directive 2014/53/EU • LVD 2014/35/EU • EMC 2014/30/EU • RoHS2 2011/65/EU
Working temperature	0°C to 40°C
Max RF output power	13.83 dBm
Wireless/WiFi Protocol	802.11 b/g/n (2.4 GHz)
Frequency:	2412 - 2472 MHz
Operational range (depending on local conditions)	<ul style="list-style-type: none"> • up to 50 m outdoors • up to 30 m indoors
Dimensions (HxWxD)	95x53x58 mm
Electrical consumption	< 4 W



Legend

N - Neutral input / cable (Zero);
L - Live input / cable (110-240 VAC);
L* - Input of O1, O2, O3, O4;
O1, O2, O3, O4 - Output 1, 2, 3, 4;
S1, S2, S3, S4 - Switch inputs controlling O1, O2, O3, O4
LAN - Local Area Network RJ 45 connector
*The cables connected to L must be with the same length!

